

ROBAM



Operation Manual

CXW-200-A812

CXW-200-A608

Range Hood

CONTENTS

1. Important Information.....	1
2. Product Overview.....	1
3. Packing list.....	2
4. Installation.....	3
5. Use Instruction.....	6
6. Maintenance and Services.....	7
7. Circuit Diagram.....	9
8. General Troubleshooting.....	9

Dear users

Thank for your buying our range hood. Please accept our best regards. Please read this operation manual carefully before installation and operation.

* The pictures in the manual for reference only. If pictures and actual are discrepancy, please see actual object. ROBAM keeps right to update structure or appearance without additional notice.

Important Information

New Package of Range Hood

Please settle those packages carefully in order to protect environment.

Don't allow children to play plastic film and package, it may cause asphyxia. Please avoid children near package material.

Dispose Old Range Hood

If the old range hood can't work, we suggest users to dispose them after confirming without any usage. There are something useful material inside of old range hood, please assist us to dispose so as to protect environment.

Before use new range hood

This range hood exhaust fume outside.

Please read this manual and all information carefully before installation and operation. Please comply with our suggestion. If it's necessary, please read manual for gas hob. And please keep these manual carefully for future reference.

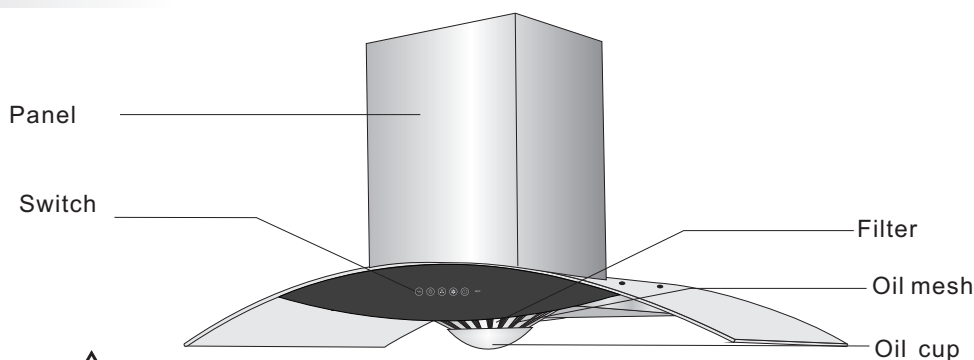
This manual is available for different models. So you may find different description with your own range hood.

If range hood has obvious damage, please don't electrify and contact operator.

Children and disability are not allowed to use range hood independently in order to avoid accident.

Product Overview

Know your range hood:



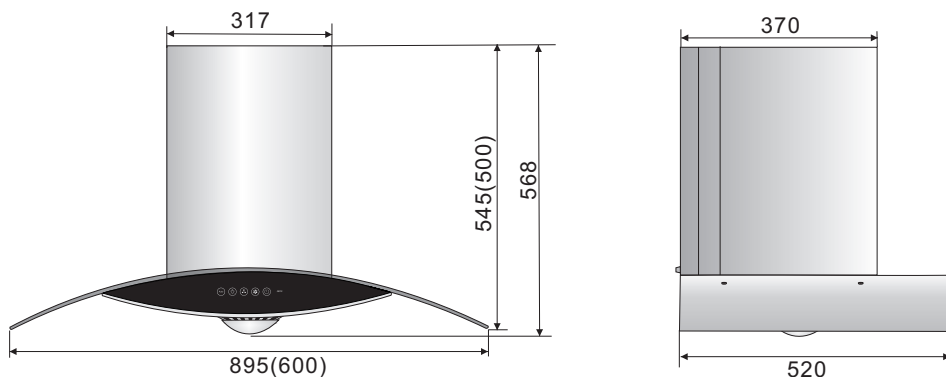
Improper operation may cause hazardous effect.

Technical Parameter

Model	CXW-200-A812 CXW-200-A608	Noise	≤58dB
Power Supply	220-240V~ 50Hz	Rated Whole Machine Input Power	204W
Total Pressure Efficiency	≥23%	Rated Main Motor Input Power	200W
Nominal Wind Pressure	≥220Pa	Max Lighting Power	≤4W
Air Flow Rate	17m ³ /min	Size (L x W x H)	A812: 895 x 520 x 545(mm) A608: 600 x 520 x 500(mm)
Max Static Pressure	≥310Pa	Net Weight	A812:25kg A608:24kg
Normal Odor Reduction Degree	≥98%	Grease separation degree	≥90%
Instantaneous Odor Reduction Degree	≥78%		

Note: The tolerance between listed air flow rate and actual data should be less than 10%.

Size & Dimension



Note: The size just for reference. Size in the brackets is specific to A608 hood. (Unit: mm)

Packing List

Please check following items after opening the carton:

Packing List	S/C	Name	Quantity	S/C	Name	Quantity
	1	Range Hood	1 unit	8	Check Valve	1 pair
	2	Φ175 (OD) aluminum exhaust pipe	1 pair	9	ST 4x18tapping screw	10 pieces
	3	Φ175 (OD) exhaust pipe joint		10	ST 4x60wooden screw	4 pieces
	4	Fixed bar for exhaust pipe		11	Stop block for bracket	1 unit
	5	Exhaust pipe tape		12	M6 metal expansion tube	1 pair
	6	Plastic expansion tube		4 unit	13	Bracket
	7	Manual	1 unit	14	Oil cup	1 pieces

Installation

Warning

1. The range hood is prohibited from exhausting fume into hot flue , which is used for exhausting gas fuel or other fuel fume.
2. When installing metal expansion tube, ensure perfect match of tube diameter with hole diameter to prevent accidental falling off from loosened expansion tube due to excessive hole expansion.
3. Please keep good ventilation in the room when range hood is working as while as and gas or other fuel combustion .
4. If flue outlet is smaller than air duct, or the air duct is too long, the absorbing will be affected.
5. This product is only used in the home daily. Don't use it in the special environment (such as outside), or exhaust dangerous or explosive air. Please put hood in the dry, good ventilation or safe environment before installation.

Preparation

● Ambient environment

Range hood shall be installed away from positions with too many windows or doors, which will lead to strong air convection and thus reduce the effect of fume removal.

● Tools: Installing range hood requires the following tools:

1. impact electric drill (with drill bit) ;
2. Wrench ;
3. Screwdriver ;
4. Ruler

Notice

- Installation and circuit setting must be done by experienced professionals. Non-professionals are not allowed to install, dismantle and repair the hood.
- Don't connect electricity before installation avoiding from electric shock.
- Do not expose the hood if your kitchen is under renovation, because construction materials, dusts, paint, coatings, and emitted gases will corrode and tarnish the hood surface. Therefore, it is recommended to install it after the renovation is completed.
- Don't install the hood on wood and other combustible walls. The wall shall be made of noncombustible materials with enough strength.
- The hood may have very sharp edges. So, please wear protective gloves during hood installation, cleaning or repair.
- Please be care of electricity inside of wall when operator digging holes on the wall. It may causes fire.
- Don't install range hood too high or disturbed by air. It may reduce absorbing effect.
- Please keep enough space when installing kitchen cabinet so as to maintain and repair.
- Please keep hood parallel when installation.
- Please keep earth well. (It's dangerous to connect hood with water pipe or gas pipe, it may cause fire or explosion).
- Please use appointed accessories to install hood or it may fall down.
- If wire is broken, only manufacture, appointed service department or other professional engineers to change it. Don't change, stretch , press or bind wire, or it may cause wire destroyed, fire or electric shock.

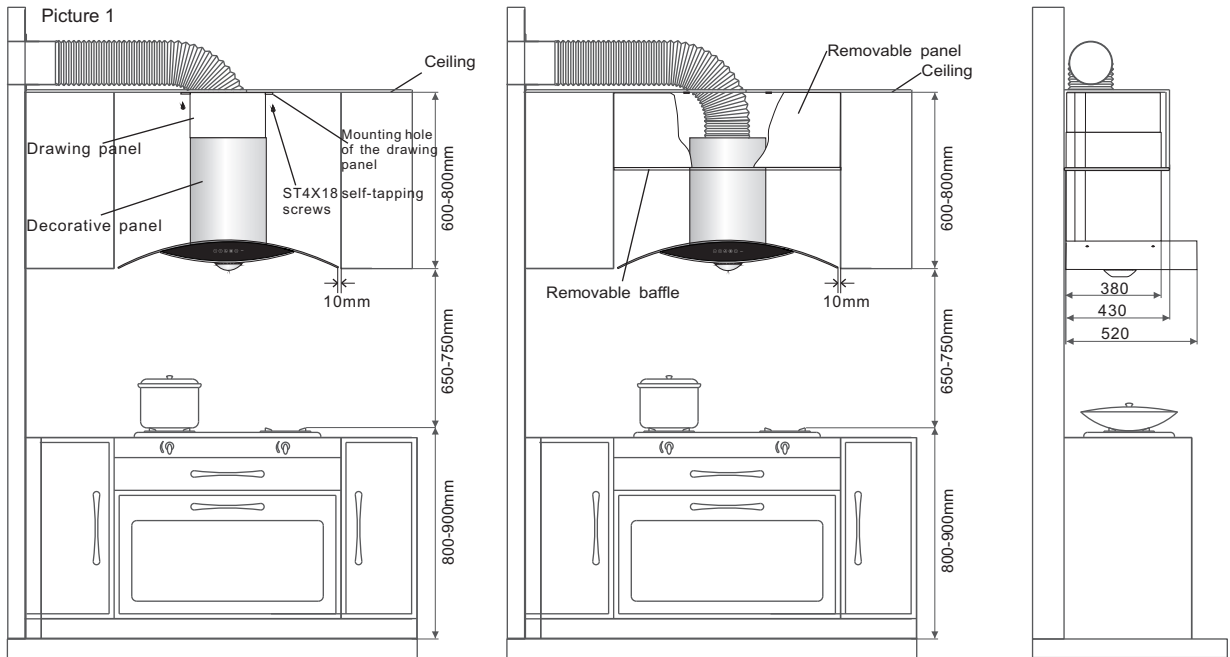
Installation

● **Location:** Reference dimension for installation of removable baffle is 650 (mm), but subject to adjustment according to actual situations. The installation hole (picture 2) shall be centered vertically with the hood body and kept horizontally.

Please see picture 3 for the installation size on the ceiling.

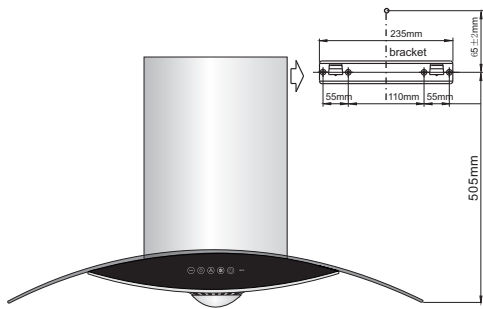
▲ Operator shall install range hood upright the gas hob with recommended lowest height between hood bottom and cooktop is 650mm (if maximum installation distance is specified in the instruction of installation, this shall be taken into consideration;

The installation height can be reduced according to actual situations when there is electric hob).

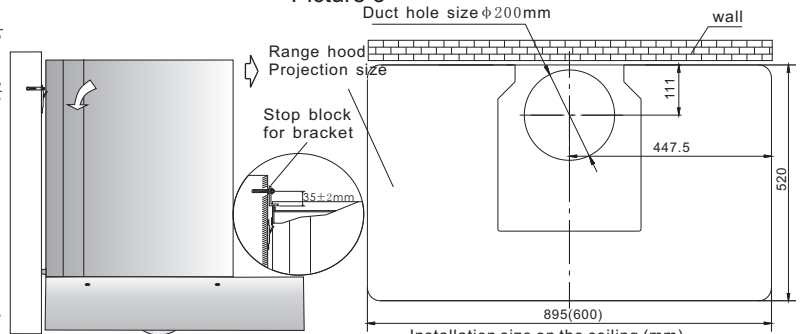


(Picture 1-1 installation without removable baffle) (Picture 1-2 installation with removable baffle)

Picture 2



Picture 3



● Install bracket

Drill four 60-70mm-deep holes by $\Phi 8$ mm drill bit at positions corresponding to the hanging plate dimension. Force the expansion tube into the holes and fasten firmly the hanging plate by the supplied four 4×60 wooden screws. Drill a 50-55mm-deep $\Phi 10$ mm hole at position 65mm high from the four holes and force the M6 metal expansion tube into the hole. (picture 2)

● Adjust the drawing panel

Pull the brackets of the panel up to an appropriate height and then pull the panel sides to find the drawing panel. Remove the protective film, and insert it along the gap between the decorative panel and the housing. Then adjust it to the proper height.

● Install the hood body

Fix the check valve as shown in Picture 5. Then direct the hanging holes in the back of hood at the hooks of hitching foots according to Picture 2, and press them together. Shake the body to check if it's hung securely. After the body is mounted, install the hitching foot stopper and gaskets to the M6 metal expansion pipe, and then tighten the nuts (to prevent accidental decoupling of the body under external force).

● Install the drawing panel

As shown in Picture 1-1, there is some gaps between the drawing panel and the top plate. Push the panel against the top plate and then fix it to the top plate with ST4×18 screws.

Don't need to adjust and install drawing panel in Picture 1-2

Install aluminum exhaust pipe

● Install the aluminum exhausting pipe (The public flue pipe don't need to drill holes).

a. Aluminum exhaust pipe and hob facing the window:

Remove one of the glasses and install a plywood with ventilation holes or punch directly on the glass.

b. Hob away from the window:

Install the aluminum exhaust pipe through the window that is close to the hob and connected outside, or install it by punching on the wall that is close to the hob and connected outside.

c. Drill hole through the wall

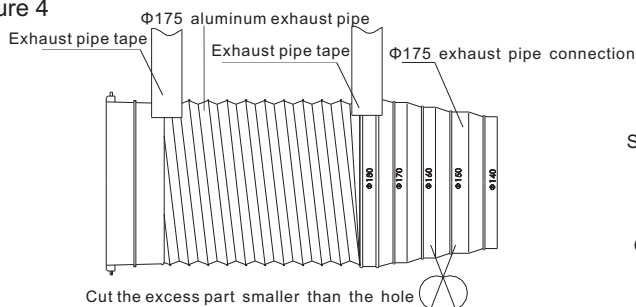
Determine the location of the aluminum exhaust pipe against the wall and draw the drilling range (i. e. a circle slightly larger than the pipe OD). Use a long drill bit to drill through the wall. Pay attention to the wall structure and material, so as not to destroy other parts of the wall.

Firstly, Insert the other pipe end to the pipe connection and stick with tapes. Then, straighten the aluminum exhaust pipe to connect the public flue pipe (If no public flue pipe, please pull the aluminum exhaust pipe to outdoors directly). This can be done directly when the wall hole is larger than the pipe. Otherwise, there are four pipe ends (OD: 140, 150, 160, and 170 respectively) to be chosen from according to the hole size. Then cut the excess part with scissors.

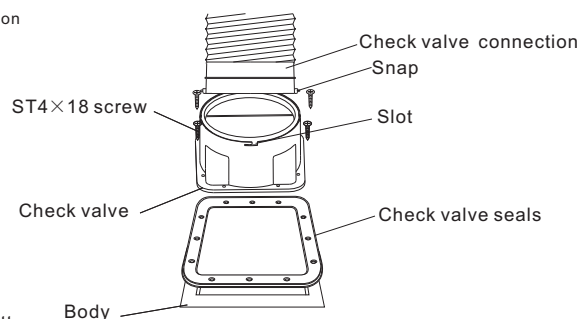
Then, insert the pipe end with fixed bar to the external ring of check valve, and stick with tape. Finally, put 4 snaps in the 4 slots, and revolve clockwise to fix exhaust pipe on the check valve.

● Connect aluminum exhausting pipe

Picture 4



Picture 5

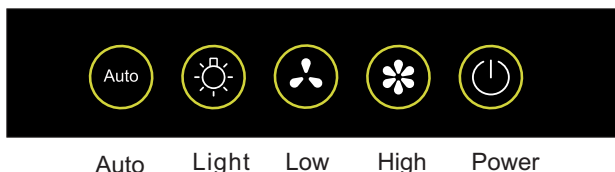


Note: During installation, straighten the aluminum exhaust pipe to avoid noises in semi-stretched state. Excess part may be cut with a wire cutter.

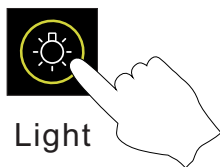
The hole diameter shall be close to that of the exhaust pipe. Undersized hole will cause poor exhaust efficiency, more noises and lower airflow. The connection between the pipe and the hole or the public flue must be sealed tightly to ensure that, the pipe and the check valve or public flue is connected securely. The blades at the check valve connection or public flue connection must be flexible.

Use Instruction

Switch Control Panel



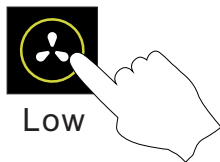
Plug in and 3 tick from the buzzer will indicate qualified installation. The hood is in standby.



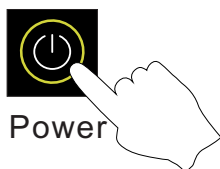
- Press the light button to turn on the light and repress to turn it off.



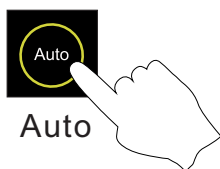
- Press the power button, the light of "Power" button turn on, press "High" button, the motor work with high speed. If press the "Low" button, it will work in the normal speed states.



- After connect with power, press "Power" button, the light of "Power" turn on, press "Low", the motor works with low speed, press "High" button again, it will change to high speed level.



- When the power icon is lit up and only the spotlight is "ON", press the "Power" button gently and the spotlight will be turned off directly; if the fan is working, press the "Power" button, the power icon will flash and the fan will be shut down after 1min. (The function of "Light", "High", "Low" and "Auto" button can't be working under delay status). If the "Power" icon is spotlight, Press the "Power" button again, all functions will be disabled.



- When "Power" icon turns on, press "Auto", the gas sensor and heat sensor will be turned on. During cooking status, if the gas concentration or temperature reaches default, hood will turn on high speed, and "High" icon will turn on. Just press "Power" or "Auto" to cancel gas sensor or heat sensor function.

Maintenance and Service

Warning

1. There is a risk of fire if the appliance is not cleaned according to the methods stated in the instructions.
2. Cleaning and maintenance must be done when the power is disconnected. Keep the electrical components (e.g. motors, switches and connectors) away from water to avoid accidents. Don't touch plug, electric components or switches by wet hands.
3. Usually, hood body don't need to disassemble. Only professional engineers can disassemble range hood. Plug must be taken off before disassembly hood.
4. Don't trinse with water to avoid accidents.
5. put out the fire promptly after use. Don't use the hob to bake the hood directly. Don't cook food directly under the hood. Otherwise, it will damage the hood, causing accidents.

Notes

●The hood shall be cleaned and maintained regularly depending on the surroundings, so as to keep its cleanness & efficiency and extend its service life.

We recommend to: Clean the exhaust fume collecting hood and range hood body after each cooking. In order to ensure smooth discharge of fumes, the filter shall be cleaned regularly . Be careful to avoid damage.

●Don't use high detergent , we recommend to use mild detergent and clean it by soft wipe. Don't touch switches by detergent .

●Don't leave blot on the surface of hood too long time.

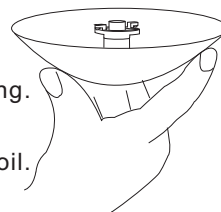
●Don't clean hood by cleaning ball, brush or other harsh tools avoiding from scoring.

●Please wear glove when clean or maintain hood avoiding from hurt.

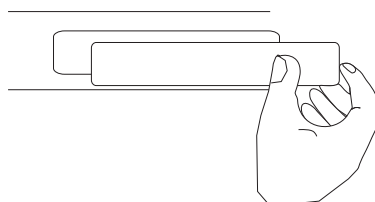
●When the oil reaches above 2/3 of the oil cup, rotate the cup right to toss away the oil.

●Don't touch opening bulb or closing for short time bulb avoiding from scald.

●Please unplug it during long-term shutdown.



Light Removal

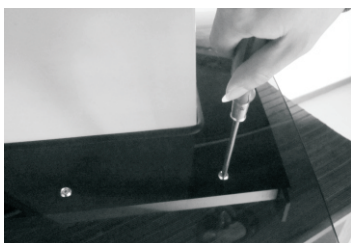


●Insert a small flathead screwdriver or something sharp in the gap between the light cover and hood.

●Raise it outward forcibly to remove the spotlight from the hood. Pull out the connector to replace the spotlight.

Note: when install light, just push light on the oil mesh by hands.

Switch Removal



●Use a Phillips screwdriver to remove the six screws on the glass cover, then remove glass cover.



●Then remove screws from switches to maintain or replace switches.

Gas sensor and heat sensor removal



● Use a Phillips screwdriver to remove the two screws on the gas sensor and heat sensor, then replace it.

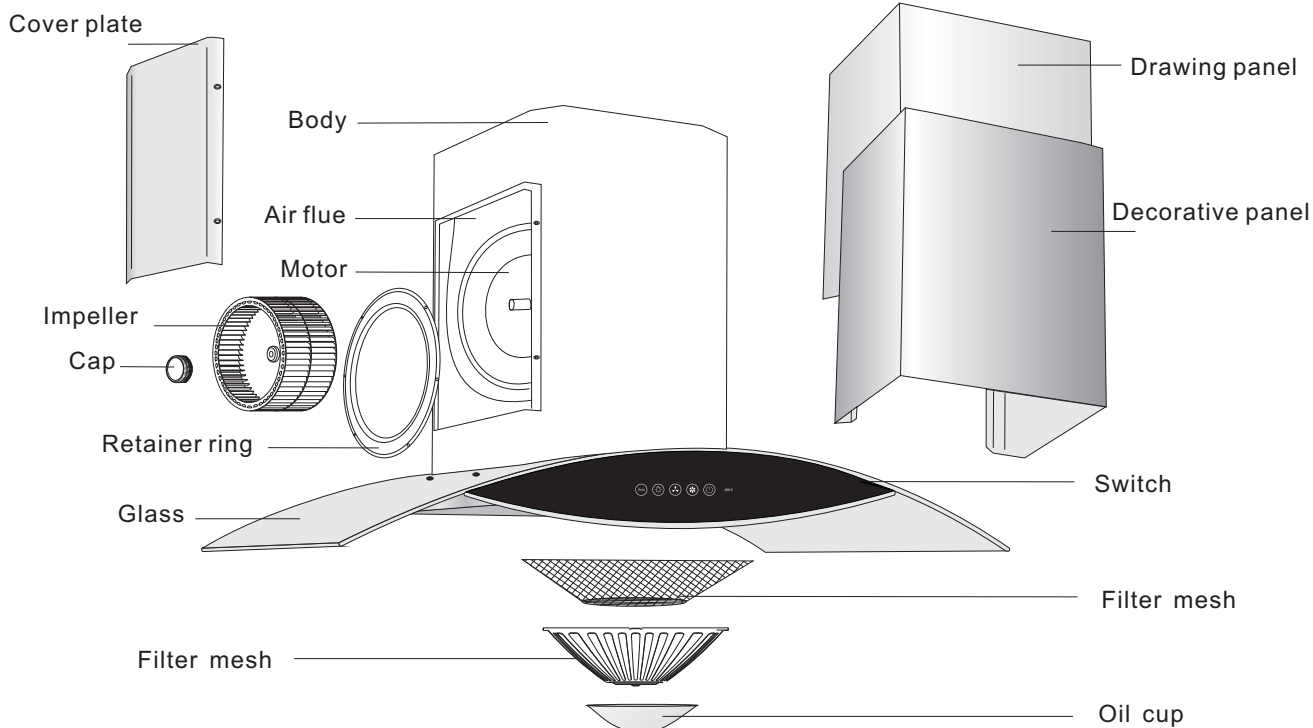
General Plan of Body Installation and Removal

1. Pull out the plug;
2. Unscrew the two screws from the back of the decorative panel. Then pull decorative panel up forcibly;
3. Remove the drawing panel from the decorative panel;
4. Use a Phillips screwdriver to unscrew the fastening screws on the cover to remove the cover;
5. Unscrew the fastening screws on the retaining ring to remove the retaining ring;
6. Unscrew the cap clockwise and take out the impeller vertically;
7. Remove the oil cup and then remove the filter mesh

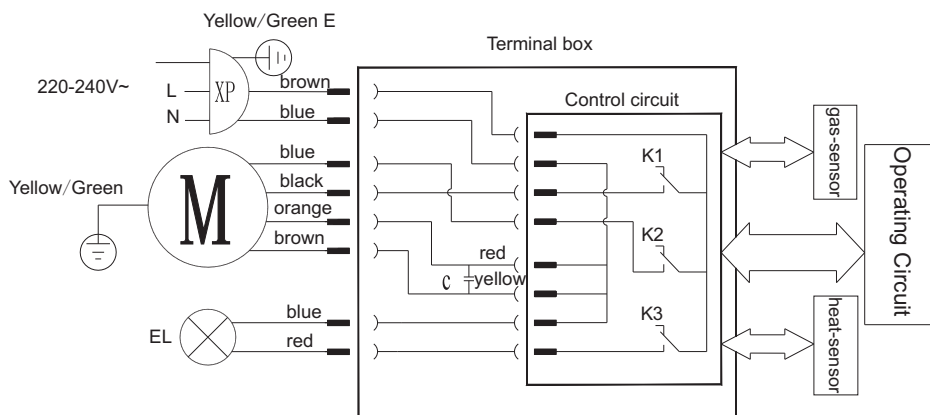
The installation and removal procedure in reverse.

(When mounting the impeller, apply some lubricant to the shaft hole.)

Note: Step 3 is unnecessary if no drawing panel is installed.



Circuit Diagram



⚠ Warning

There shall be adequate ventilation of the room when the range hood is used at the same time as appliances burning gas or other fuels.

- Do not flambé under the range hood.
- This appliance is not intended for use by persons (including children) with reduced physical, sensory, or mental capacities, or lack of experience and knowledge, unless they have been given supervision or instruction concerning use of the appliance by a person responsible for their safety.
- Children should be supervised to ensure that they do not play with the appliance.
- If the supply cord is damaged, it must be replaced by the manufacturer, its service agent or similarly qualified persons in order to avoid a hazard.
- Accessible parts may become hot when used with cooking appliances.
- The minimum distance between the supporting surface for the cooking vessels on the hob and the lowest part of the range hood. When the range hood is located above a gas appliance, this distance shall be at least 65 cm. If the instructions for installation for the gas hob specify a greater distance, this has to be taken into account.

General Troubleshooting

S/C	Failure	Cause	
1	No response after pressing any button (e. g. the impeller does not rotate, light is "OFF")	The power is not connected properly or there is power failure	<p>⚠ Warning</p> <ol style="list-style-type: none"> 1. Please unplug the power cord when connecting the plug-ins or replacing any part. 2. If the hood's power cord is damaged, it must be replaced by our maintenance staff. 3. Keep the hood away from fire to avoid accidents.
2	Light "OFF" after pressing the light button	The light is damaged or poorly connected	
3	Induced current on the hood body that paralyzes hands	The power outlet is not well grounded	
4	Abnormal sound during impeller running	The impeller is loose and the cap is not tightened	
5	No oil in the oil cup after a period of time	The body is tilt	

Edition: A/2

ROBAM