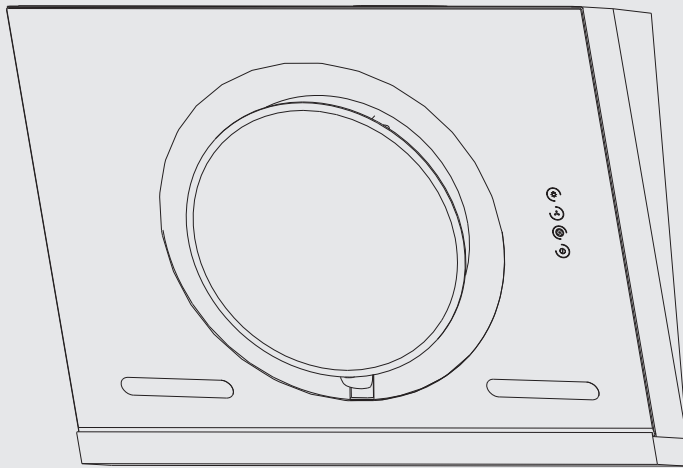


ROBAM



Operation Manual

CXW-200-A606

Range Hood

CONTENTS

1. Important information.....	1
2. Product profile	1
3. Installation instructions.....	2
4. Operation instructions	5
5. Maintenance.....	7
6. Circuit diagram	9
7.General Troubleshooting.....	9

Dear user

Thank you for buying ROBAM range hood and we'd like to take this opportunity to extend our deep gratitude. Please read this Operation Manual carefully before using this product.

Important information

Packaging of New Hood

Please dispose the packaging materials in an environmentally-friendly way to maintain a good environment.

Keep children away from the plastic film and packing carton. They are not toys and may cause choking.

Disposal of Old Hood

If the old hood cannot be used any longer, it is recommended to dispose it to an "unusable" state before discarding.

Please assist disposing or recycling the useable materials from the old hood, thus contributing to the environmental protection.

Before Using the New Hood

The range hood exhausts fumes outside.

Before installing and using the product, please carefully read and strictly follow the instructions and accompanying

documents. When necessary, also read the Operation Manual of your gas hob and save them properly for future reference.

As the manual apply to different types of hoods, you may find some extra characteristics described here. If obvious damage is found, do not energize it and immediately contact your local dealer or the service center.

Don't let unsupervised children and frail people use the hood alone. Otherwise, it will cause electric shock or other injuries.

Product Profile

Technical parameter

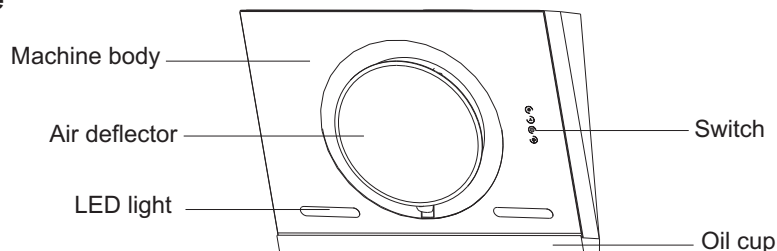
Model	CXW-200-A606	Noise	≤57.5dB
Power	220-240V~ 50Hz	Rated input power of the hood	208W
Total pressure efficiency	≥23%	Rated input power of main motor	200W
Nominal wind pressure	≥290Pa	Maximum input power of the light	≤4W×2
Air volume	17.5m ³ /min	Dimension (L×W×H)	795 x 354 x 579(mm)
Maximum static air pressure	≥370Pa	Net weight	24.5kg
Odor decrease rate (normal)	≥98%	Grease separation degree	≥95%
Odor decrease rate (instantaneous)	≥80%		

Note:1. The deviation between expressed value of air volume and measured value shall not be larger than 10% of expressed value.

2. When working on the stir frying function, the power is 5% higher than strong gear and the air volume is 18.5m³/min.

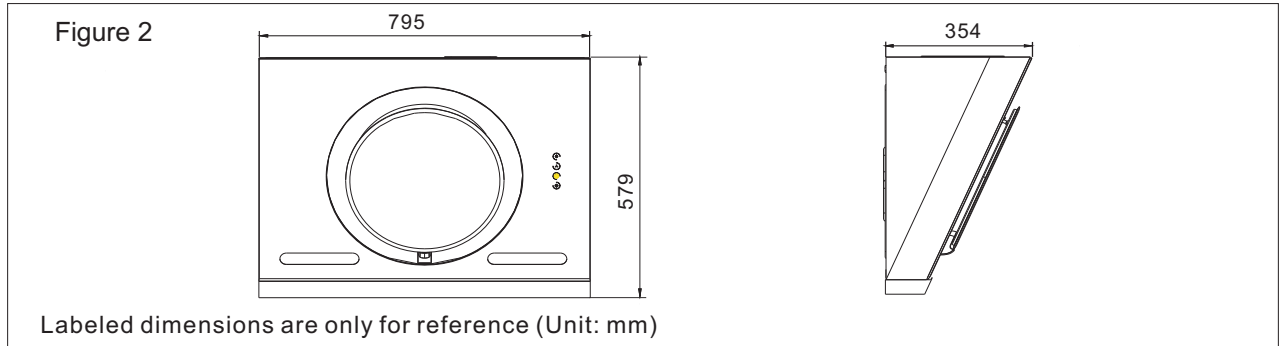
Product structure

Figure 1



If this mark is attached, it means that it is warning content, which may cause danger if it is not followed.

Dimensions of machine body



Installation Instructions


Warning

1. The gas exhausted from range hood shall not be exhausted to heating flue used for smog exhausted by burning gas or other fuels.
2. Pay attention that the matching of pipe diameter and pore diameter must be tight when assembling metal expansion pipe. Drilling hole is prohibited to be too large, which may cause the looseness of expansion pipe and fall by accident.
3. When the range hood and cooking range with fuel gas or other fuels are used at the same time, the room must be in good ventilation.
4. If the flue aperture is less than air duct aperture, it will influence the fume suction effect and the too long air duct will also influence the fume suction effect.

Preparation before assembly

◆ Surrounding environment

Range hood shall be avoided to be assembled at the place where there are many doors and windows since it will form too large cross-ventilation so as to influence the oil fume exhaust effect.

 **This product is only for daily use and please do not use it under special environment (e.g. outdoor); nor can it be used to exhaust hazardous or explosive substance or gas. Before assembly, the product shall be placed in environment which is dry, ventilated without corrosive and harmful gas in the surrounding.**

◆ Tool preparation

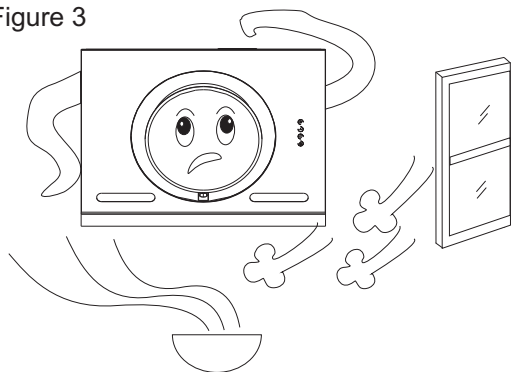
The following tools shall be prepared when range hood is assembled: 1. Electric impact drill (with drill); 2. Wrench; 3. Screw driver; 4. Ruler

◆ Check the articles in the box

Packing list	No.	Name	Quantity	No.	Name	Quantity
	1	Range hood	1 set	7	M6 metal expansion pipe	2 pieces
	2	ST4 x 18 tapping screw	8 pieces	8	Operation Manual	1 piece
	3	Φ175 (Outer diameter) aluminum foil air duct	1 set	9	Check valve	1 set
	4	Φ175 (Outer diameter) air duct interface		10	Hitching leg	2 pieces
	5	Fixed strip of air duct		11	Stop block of hitching leg	2 pieces
	6	Adhesive tape of air duct				

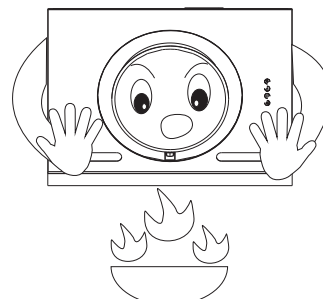
Precautions during assembly

Figure 3



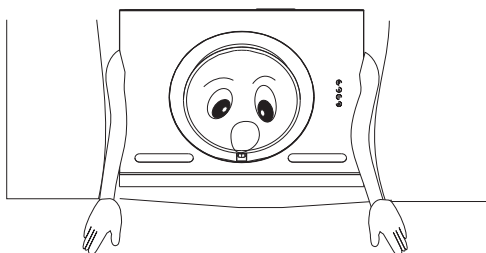
Range hood shall not be assembled too high, nor shall it be disturbed by external air flow so that the fume suction effect will not be influenced.

Figure 4



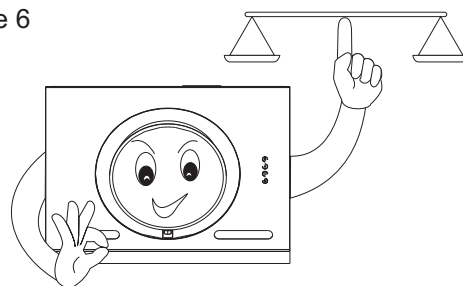
⚠ Warning : Stove fire shall be extinguished timely when it is not used; stove fire is prohibited to bake the range hood directly and it's prohibited to bake food under range hood directly to prevent range hood from damaging and causing accidents.

Figure 5



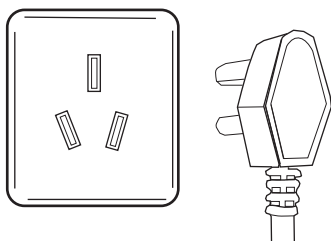
Please retain assembly space for machine body while fabricating cupboard so as for the care and maintenance and repair.

Figure 6



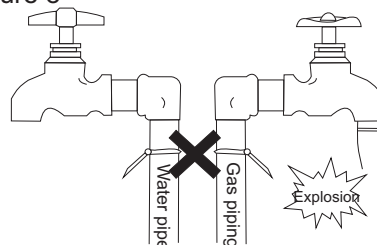
Please keep the machine body level while assembling the machine.

Figure 7



Please use single phase socket with grounding, which shall be well grounded.

Figure 8



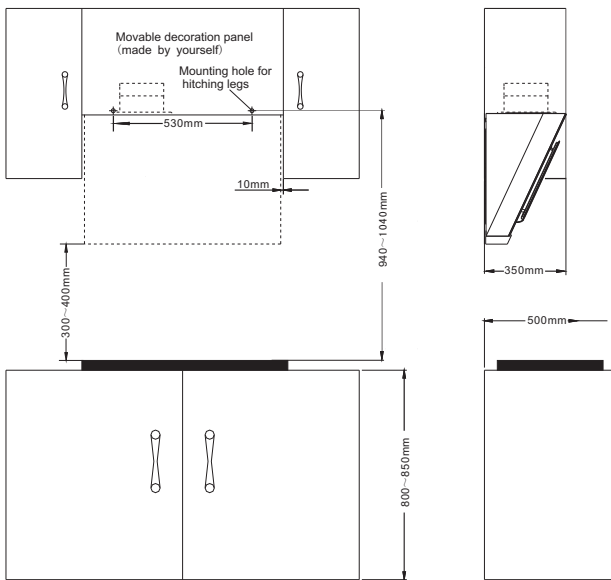
Water pipe grounding is not reliable. The grounding of gas piping may cause the danger of fire and explosion.

The following matters shall be paid attention to simultaneously:

- If your kitchen is in decoration state, please do not expose the range hood outside since construction material, dust, paint, coating and the gases they volatile will corrode the surface of range hood and the surface will be tarnished. Therefore, it's suggested to assemble the range hood after decoration.
- Please do not assemble the range hood on wood or other wall surface with inflammables and the wall surface to assemble range hood shall be noncombustible with enough strength.
- Assembly and circuit setting must be operated by professionals with experiences and non-professionals shall not assemble, disassemble and repair range hood.
- Range hood may have very sharp edge, please wear protective gloves while moving the range hood for assembly, cleaning or repair.
- When drilling holes on the wall, the electric wire buried in the wall shall be avoided to prevent from fire.

Assembly

Figure 9-1

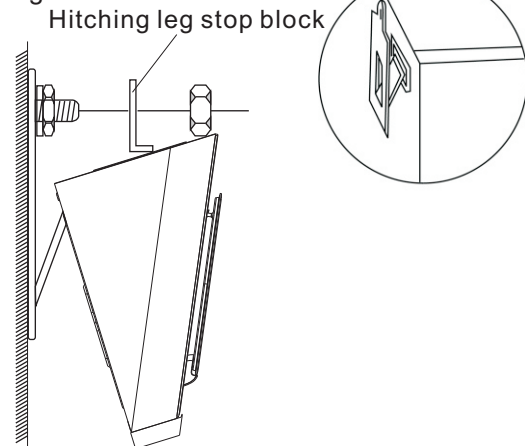


Cupboard dimensions are only for reference.

1. Determine the position: assembly pitch of holes 530mm; two holes shall remain level; See Figure 9-2 for hung ceiling drill size.

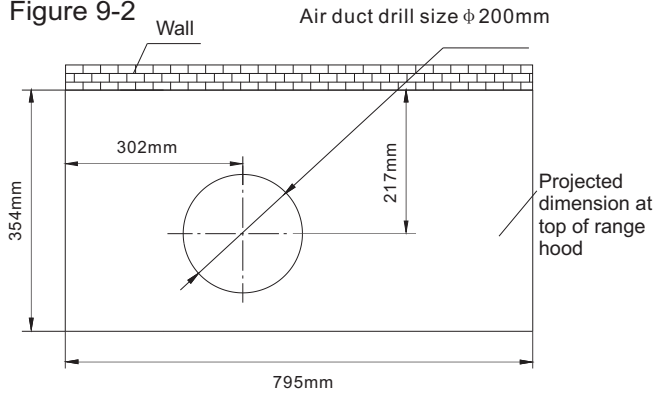
Note: This assembly position is only applicable to electric range; if it is installed above gas stove, the installation height shall conform to the requirements of assembly instructions for gas stove.

Figure 11



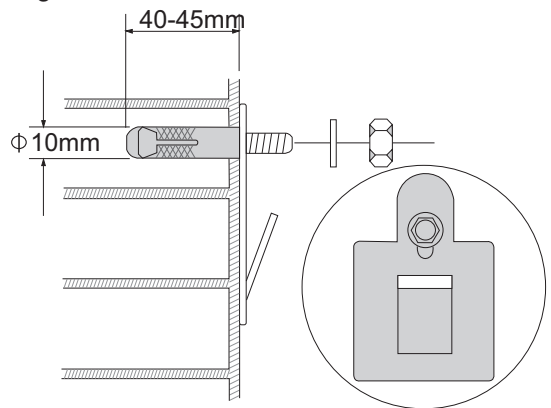
3. Assemble the machine body: install the machine body into hitching leg (hang hole is at upside of the back of machine body); after machine body is placed, install hitching leg stop block and screw the nut (to prevent machine body from unhooking with the exogenic process).

Figure 9-2



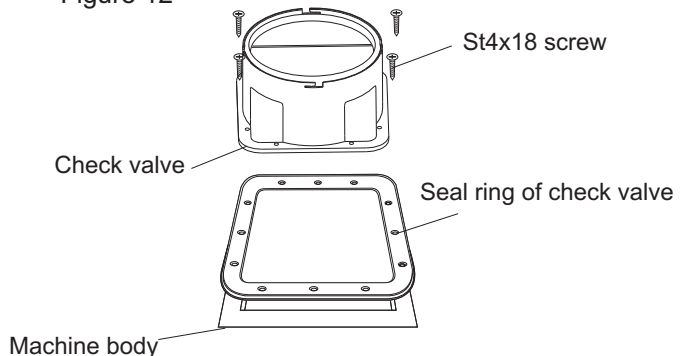
Hung ceiling drill size drawing (Unit: mm)

Figure 10



2. Assemble hitching leg: Drill holes at determined position with hole depth 40-45mm, hole diameter 10mm (can not be too large), insert M6 metal expansion pipe into the hole and install hitching leg, gasket and screw the nut.

Figure 12



4. Assemble check valve: As shown in Figure 12, the seal ring of check valve and check valve are fixed at the outlet at the top of machine body by 8 ST4X18 tapping screws.

5. Install ALUM-Nod:

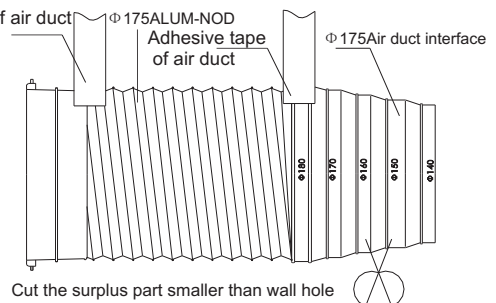
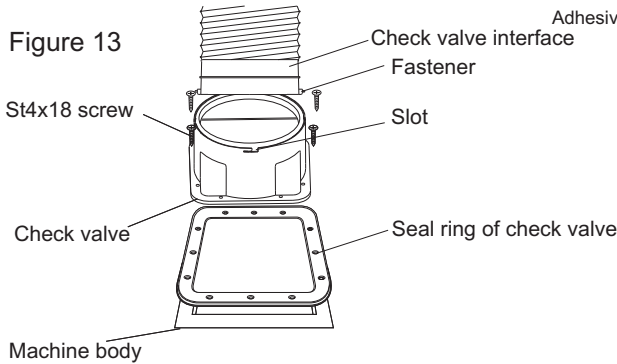
1) Hole position of ALUM-NOD

- Installation of air duct and coil base directly facing window:** disassemble a glass and assemble plywood with exhaust holes, or drill holes on the glass directly.
- When coil base is not close to window:** Select the nearest coil base, install the air duct on the window accessible to outdoor to penetrate the window; or select the nearest coil base, drill hole on the wall accessible to outdoor and install air duct to penetrate the wall.
- Drill the wall opening:** Measure the position that air duct faces wall and mark the drilling scope on the wall surface (i.e. circle a little larger than outer diameter of air duct), then use long drill to drill the wall. Pay attention to the wall structure and material while drilling and do not damage the wall besides wall opening.

2) Connect the ALUM-NOD

First connect the ALUM-NOD without air duct fixed strip with air duct interface, sealed by adhesive tape of air duct and straighten the ALUM-NOD to outdoor directly. When the wall hole is larger than ALUM-NOD, the air duct can be pulled to outdoor directly; when the wall hole is smaller than air duct, it can be selected according to the hole size since the small end of air duct interface has four specifications: 140, 150, 160 and 170. The surplus part that is smaller than wall hole can be cut by scissor.

Then insert the other end of ALUM-NOD with air duct fixed strip between internal and external ring of check valve outlet and seal it by adhesive tape of air duct. Last, put the 4 fasteners into the slots and rotate clockwise, the ALUM-NOD is fixed on the check valve.



Note: Please straighten the ALUM-NOD while assembling so as to prevent ALUM-NOD from producing noise at semi-stretching state; the surplus part can be cut by wire cutter.

The diameter of exhaust wall hole shall be close to the air duct diameter, which shall not be too small, or it will cause unsmooth fume exhaust, rise of noise and reduction of air volume. Outlet pipe and wall hole or connection with public flue interface must be sealed strictly so as to make sure that the air duct and check valve or public flue interface are connected firmly and make sure that the blade of check valve or public flue interface is flexible in opening and closing.

Operation Instructions

Figure 14

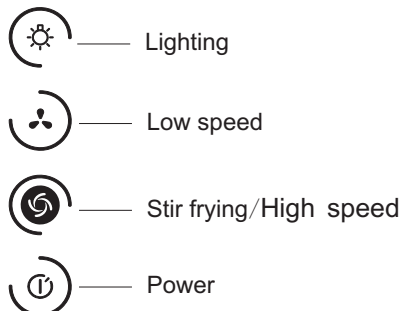
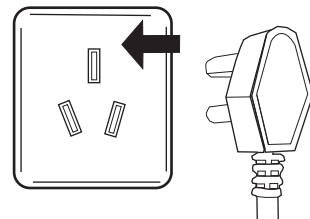
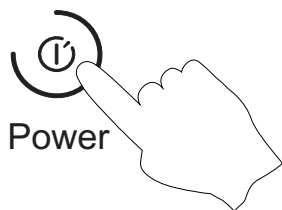


Figure 15



Plug in the power plug and buzzer will sound for 3 times to prompt that installation is qualified and enter standby mode.

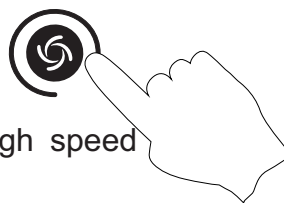
Figure 15



Power

Press the “Power”key, the outer ring turns red, the hood enters standby mode, it is ready and waiting for working order.

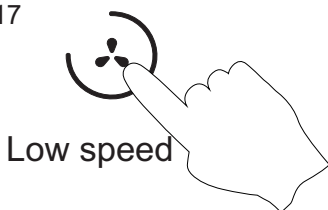
Figure 16



Stir frying/High speed

Press the “Stir frying/High speed” key, working on “Stir frying” function, press it again, it turns to “High speed” function. Without any operation after working on “Stir frying” function, it will turn into “High speed function after 3 minutes.

Figure 17



Low speed

Press the “Low speed” in standby or working mode, the impeller will rotate in low speed to suck fume (that is, low speed is turned on).

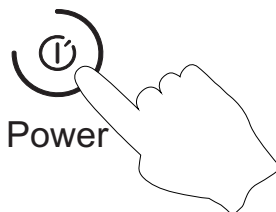
Figure 18



Lighting

In standby mode press the “Lighting” key one time, the lighting lamp will be on. Press again, the lighting lamp will be off. Press one time, buzzer will sound for one time. The “Lighting” key only controls the lighting lamp.

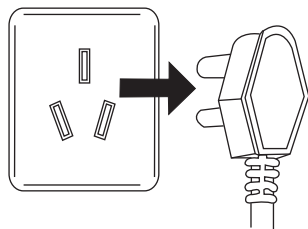
Figure 19



Power

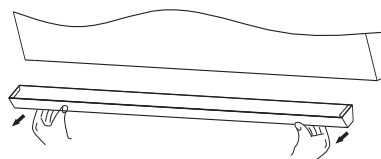
When “Power” icon is on, if only lighting lamp is on, gently touch the “Power” key, the lighting lamp will be turned off; if “Power” is on and fan is working, gently touch the “Power” key, the power icon will flicker and range hood will be in delayed working condition, then turn off all the working conditions after 1min (“Stir frying/High speed” and “Low speed” can not work under delayed working condition); if power icon is flickering, gently touch the “Power” key, then all the functions will be shut down.

Figure 20



Please pull out the power plug if it is not used for long time.

Figure 21



Hold the oil cup by two hands to pull it outward and pour the waste oil. Please periodically check and clean oil cup.

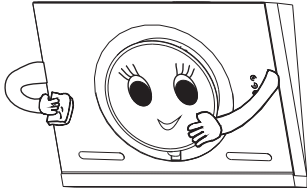
◆ Range hood shall be turned on before cooking.

Maintenance

⚠ If the range hood is not cleaned with the specified method in Operation Manual, it may have the danger of fire.

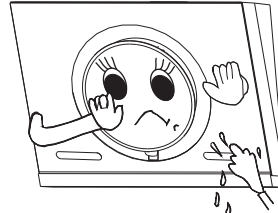
Precautions

Figure 22



It's appropriate to clean by wet cloth with neutral cleaner.

Figure 23



It's prohibited to wash with water so as to prevent accidents.

Range hood shall be regularly maintained and cleaned according to the environmental conditions so as to keep the machine body clean and the use effect and extend the service life.

It's suggested that:

- ◆ Please wipe after every cooking.
- ◆ To guarantee the smooth exhaust of oil and fume, the interior mesh enclosure shall be cleaned by warm water with cleaner according to the use conditions. Please be careful while cleaning it so as to prevent from damage.

Warning: Cleaning and maintenance shall be conducted under outage. Electrical components such as motor, switch, and connector shall not be spoiled by water so as to prevent from accidents.

Disassembly and assembly of air deflector

Figure 24-1

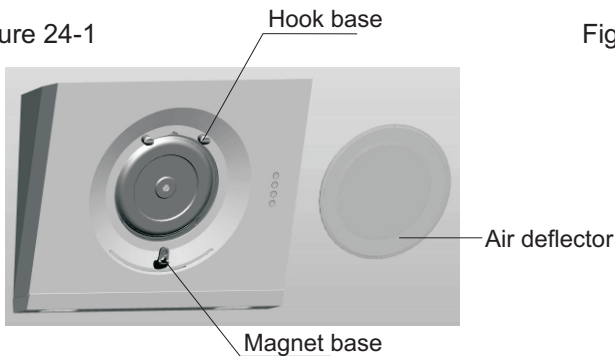
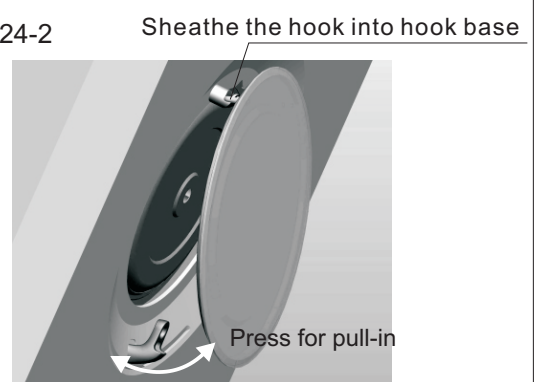
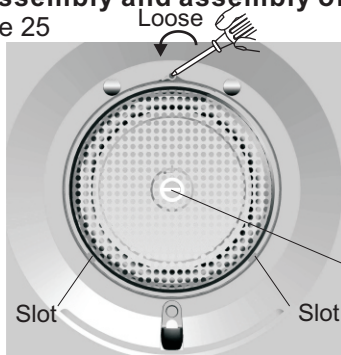


Figure 24-2



Disassembly and assembly of protective net

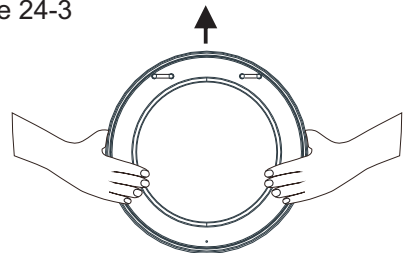
Figure 25



1. Rotate the screw in the hole 1-2 cycles counterclockwise by cross screwdriver to loosen pressing plate.
2. Push the pressing plate aside by finger to left or right.
3. Pull out the interior protective net.

When assembling the interior mesh enclosure, pay attention to insert the interior mesh enclosure to the bottom slot. Note: The assembly steps are opposite with the disassembly steps.

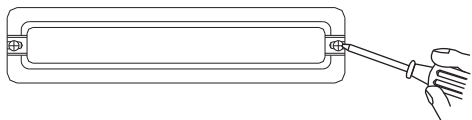
Figure 24-3



To take it out, hold the edge of front plate with both hands to pull out the magnet base and then pull it upward.

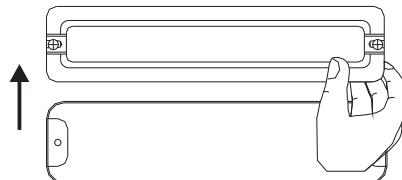
Disassembly and assembly of light

Figure 26



Take down the back plate, then unscrew the two screws on the lampshade by screwdriver.

Figure 27



Push the lampshade up as the direction of arrow, take down the lampshade, and then you can do the maintenance and replacement.

Note: The assembly steps are opposite with the disassembly steps.

Disassembly and assembly of machine body

Figure 28

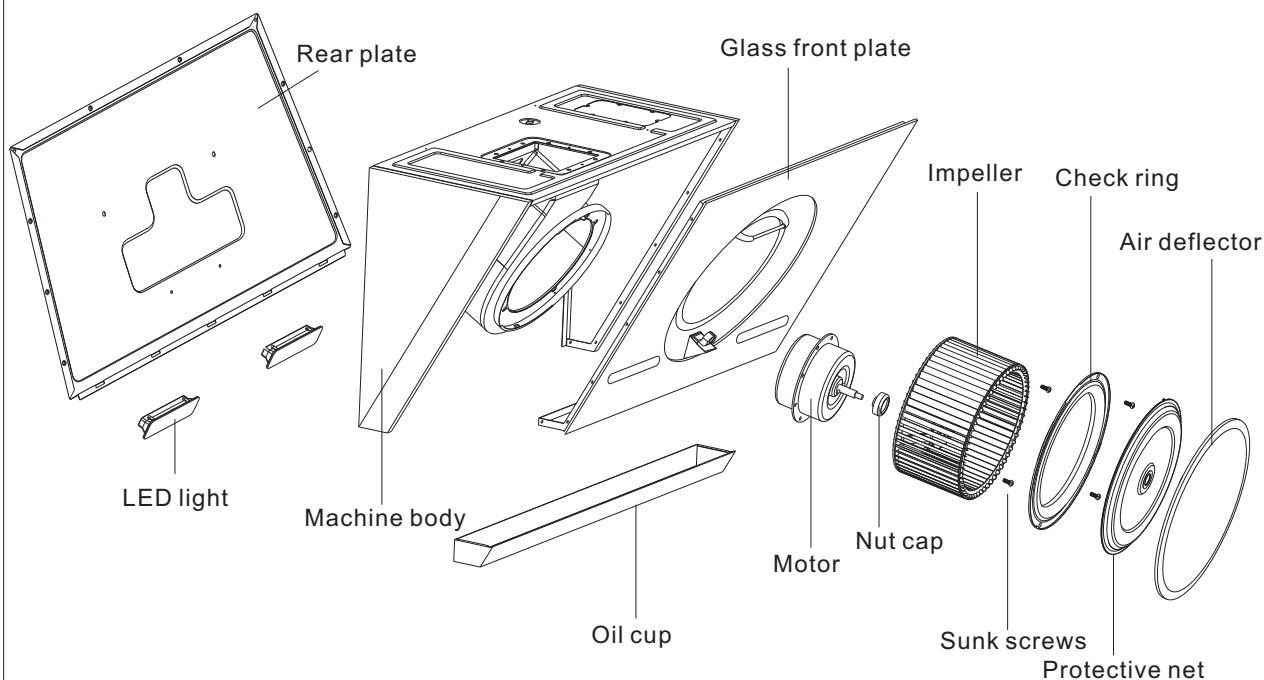


The machine body needs not to be disassembled in ordinary conditions.
Disassembly shall be operated by professional serviceman.

The disassembly steps are:

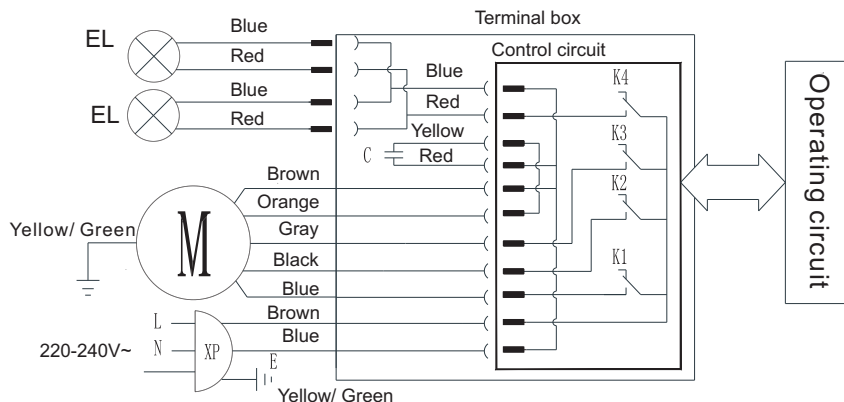
1. Disconnect the power plug;
2. Hold the edge of front plate with both hands to pull out the magnet base, then take out the front plate upward (See Disassembly and assembly of front plate).
3. Unscrew the pressing plate to left or right and take down the interior mesh enclosure (See Disassembly of interior mesh enclosure);
4. Screw off 4 M4 sunk screws on check ring and take out the check ring;
5. Screw off the nut cap clockwise to take out impeller vertically;

The assembly steps are opposite with disassembly steps. (When assembling impeller, please add some lubricating oil in the axle hole of impeller.)



Circuit Diagram

- EL: LED light
- M: Motor
- C: 500VAC 6 μ F
- E: Ground terminal
- XP: Power plug
- K1: Strong suction switch
- K2: Weak suction switch
- K3: Stir frying switch
- K4: Lighting switch



General Troubleshooting

No.	Fault phenomenon	Fault cause	Elimination methods
1	No response by pressing any switch (e.g. impeller does not rotate, lighting lamp is not on)	Power plug is not well connected or power outage	Well connect the power plug
2	Press the lighting switch but the lighting lamp is not on	Lighting lamp is broken or power plug is not well connected	Replace lighting lamp or well connect the power plug
3	There is induced electricity on the surface of machine body, hand numbness	Power socket is not well grounded	Use single phase tripolar socket for well ground
4	There is abnormal sound when impeller is rotating	Impeller is loosened, set screw of impeller is not tightened	Tighten the set screw of impeller
5	There is abnormal sound for ALUM-NOD	ALUM-NOD is not straightened	Please install according to the requirements of Operation Manual
6	Oil dripping at rear back of machine body	Oil cup is not assembled in place after disassembly for cleaning	Assemble the oil cup in place

1. Please cut off the power, when connect the plugins.
2. If the power cord is damaged, it should be change by the technical servicers, in order to avoid danger.

Edition: A/0

ROBAM